

NH FUSES

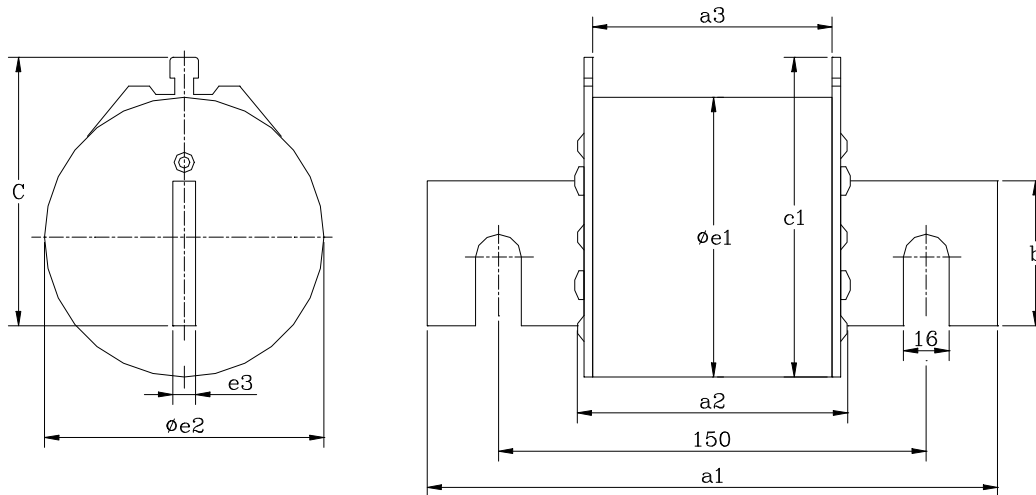
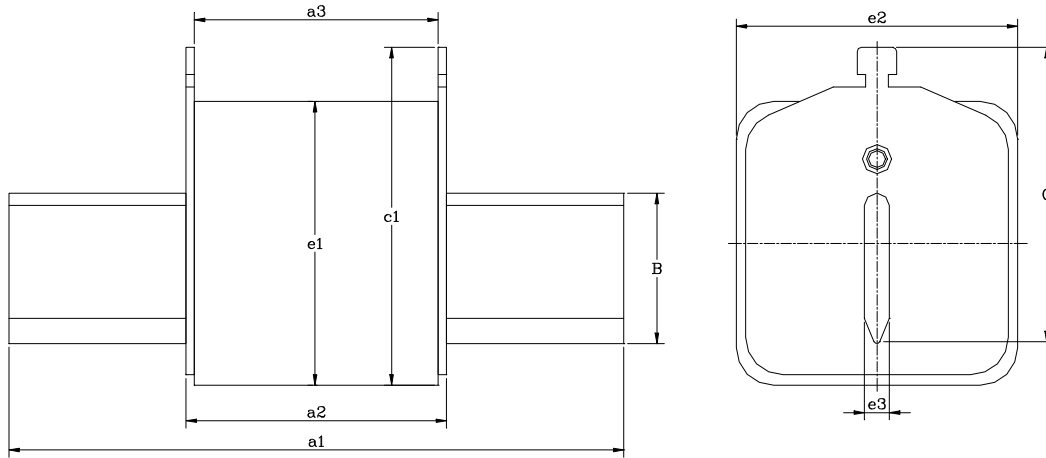
High grade ceramic body to DIN 43620 and 57636. Low losses. Corrosion-proof metal parts
120 kA rupturing capacity at 500 VAC. gG and aM characteristics.

Body DIN 00 a 4



SIZE	In A	gG		aM	
		500 Vac	660 Vac	500 Vac	660 Vac
00	6	6 ND 00-50		6 MD 00-50	
	10	10 ND 00-50		10 MD 00-50	
	16	16 ND 00-50		16 MD 00-50	
	20	20 ND 00-50		20 MD 00-50	
	25	25 ND 00-50		25 MD 00-50	
	30	30 ND 00-50		30 MD 00-50	
	36	36 ND 00-50		36 MD 00-50	
	50	50 ND 00-50		50 MD 00-50	
	63	63 ND 00-50		63 MD 00-50	
	80	80 ND 00-50		80 MD 00-50	
	100	100 ND 00-50		100 MD 00-50	
	120	120 ND 00-50		120 MD 00-50	
	125	125 ND 00-50		125 MD 00-50	
	160	160 ND 00-50		160 MD 00-50	
0	16	16 ND 0-50		16 MD 0-50	
	20	20 ND 0-50		20 MD 0-50	
	25	25 ND 0-50		25 MD 0-50	
	30	30 ND 0-50		30 MD 0-50	
	36	36 ND 0-50	36 ND 0-66	36 MD 0-50	36 MD 0-66
	50	50 ND 0-50	50 ND 0-66	50 MD 0-50	50 MD 0-66
	63	63 ND 0-50	63 ND 0-66	63 MD 0-50	63 MD 0-66
	80	80 ND 0-50	80 ND 0-66	80 MD 0-50	80 MD 0-66
	100	100 ND 0-50	100 ND 0-66	100 MD 0-50	100 MD 0-66
	120	120 ND 0-50	120 ND 0-66	120 MD 0-50	120 MD 0-66
	125	125 ND 0-50	125 ND 0-66	125 MD 0-50	125 MD 0-66
160	160 ND 0-50	160 ND 0-66	160 MD 0-50	160 MD 0-66	
1	36	36 ND 1-50	36 ND 1-66	36 MD 1-50	36 MD 1-66
	50	50 ND 1-50	50 ND 1-66	50 MD 1-50	50 MD 1-66
	63	63 ND 1-50	63 ND 1-66	63 MD 1-50	63 MD 1-66
	80	80 ND 1-50	80 ND 1-66	80 MD 1-50	80 MD 1-66
	100	100 ND 1-50	100 ND 1-66	100 MD 1-50	100 MD 1-66
	120	120 ND 1-50	120 ND 1-66	120 MD 1-50	120 MD 1-66
	125	125 ND 1-50	125 ND 1-66	125 MD 1-50	125 MD 1-66
	160	160 ND 1-50	160 ND 1-66	160 MD 1-50	160 MD 1-66
	200	200 ND 1-50	200 ND 1-66	200 MD 1-50	200 MD 1-66
	225	225 ND 1-50	225 ND 1-66	225 MD 1-50	225 MD 1-66
250	250 ND 1-50	250 ND 1-66	250 MD 1-50	250 MD 1-66	
2	250	250 ND 2-50	250 ND 2-66	250 MD 2-50	250 MD 2-66
	315	315 ND 2-50	315 ND 2-66	315 MD 2-50	315 MD 2-66
	355	355 ND 2-50	355 ND 2-66	355 MD 2-50	355 MD 2-66
	400	400 ND 2-50	400 ND 2-66	400 MD 2-50	400 MD 2-66
3	425	425 ND 3-50	425 ND 3-66	425 MD 3-50	425 MD 3-66
	500	500 ND 3-50	500 ND 3-66	500 MD 3-50	500 MD 3-66
	630	630 ND 3-50	630 ND 3-66	630 MD 3-50	630 MD 3-66
	800	800 ND 3-50	800 ND 3-66	800 MD 3-50	800 MD 3-66
4	800	800 ND 4-50	800 ND 4-66	800 MD 4-50	800 MD 4-66
	1000	1000 ND 4-50	1000 ND 4-66	1000 MD 4-50	1000 MD 4-66
	1250	1250 ND 4-50	1250 ND 4-66	1250 MD 4-50	1250 MD 4-66

NH FUSE



SIZE	Current (A)	a1	a2	a3	b	c	c1	c2	e1	e2	e4
00	6 to 160	78,5	54	45	15	45	56	77	42	29	
0	16 to 160	125	70	61	15	46	56	77	42	29	
1	36 to 250	135			20	47	58	80	46	46	6
2	225 to 425	150			26	56	68	90	56	56	
3	425 to 800	150			36	68	80	100	66	66	
4	800 to 1250	200	94	82	64	97	117		98	98	8